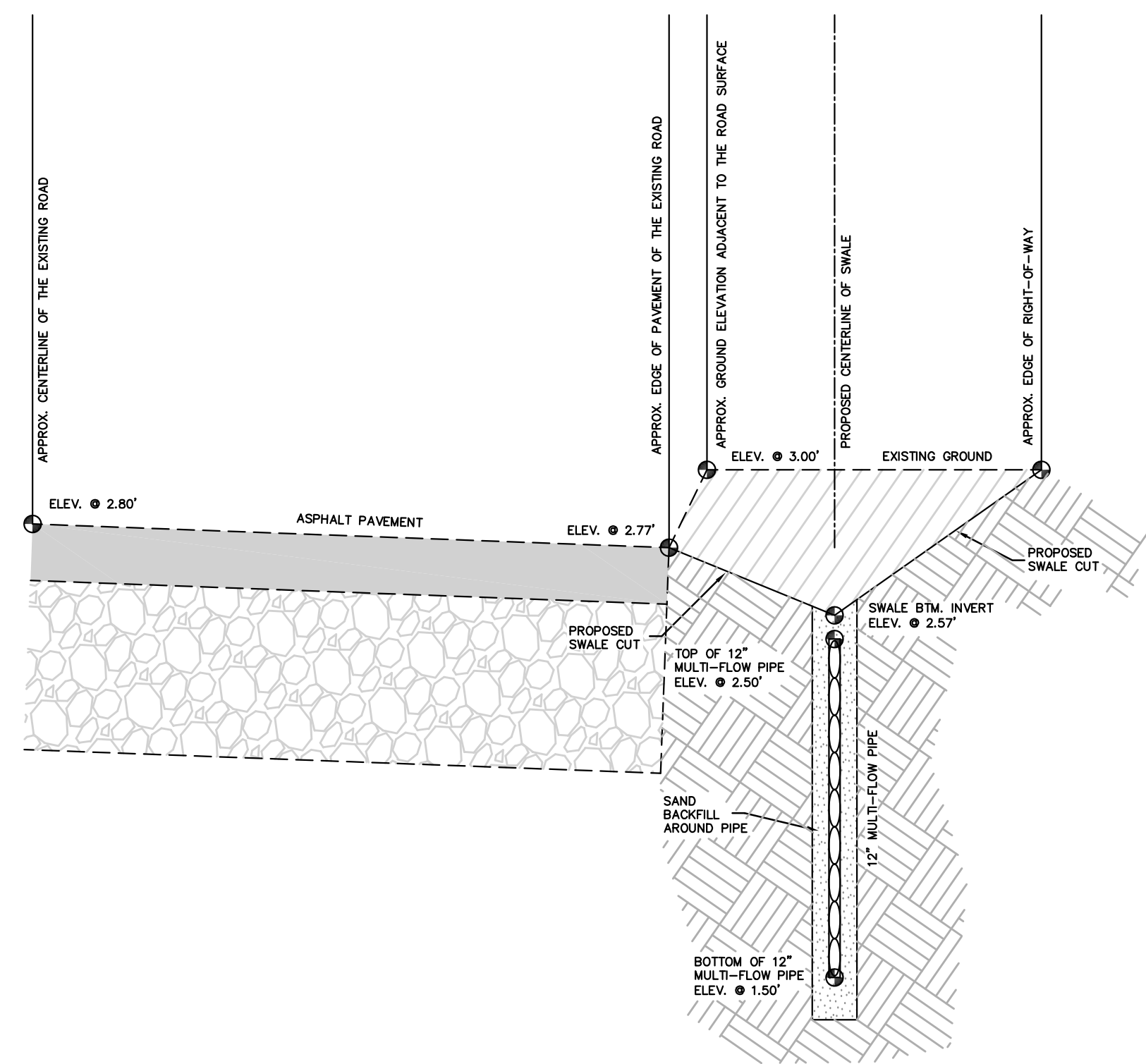
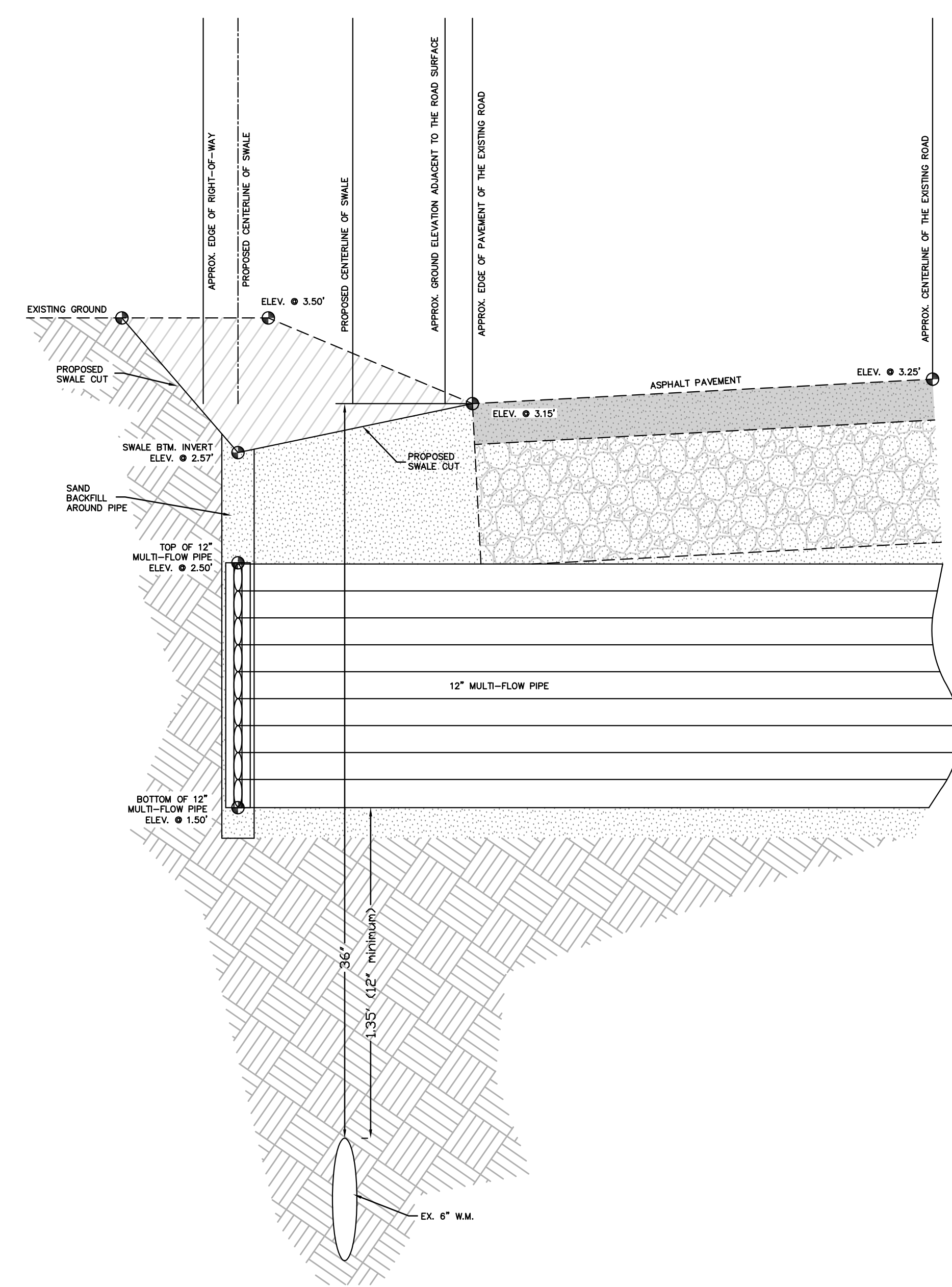


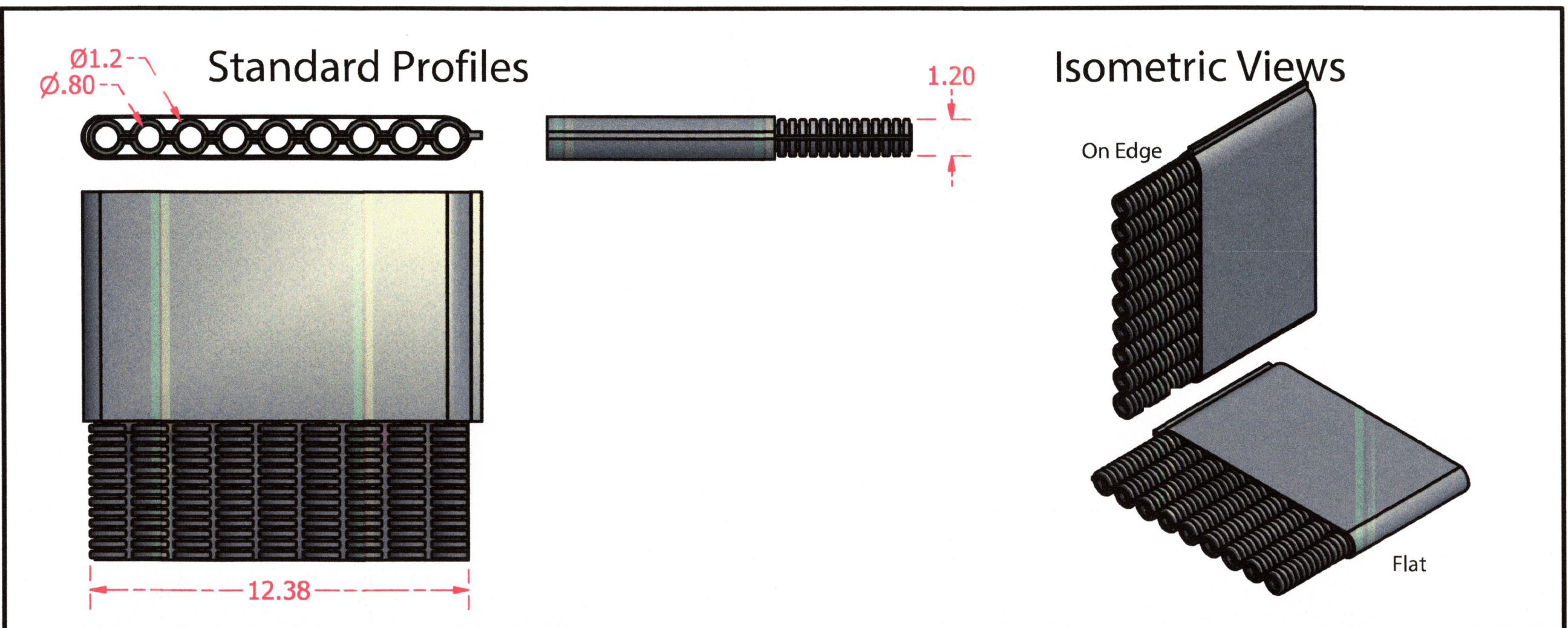
**NOTE:**  
 THE DATA GIVEN ON THESE PLANS IS BELIEVED TO BE ACCURATE, BUT THE ACCURACY IS NOT GUARANTEED. THE CONTRACTOR IS RESPONSIBLE FOR VERIFYING ALL LEVELS, LOCATIONS, TYPES, AND DIMENSIONS OF THE EXISTING UTILITIES PRIOR TO CONSTRUCTION. IF A DISCREPANCY IS FOUND, WORK SHALL CEASE AND THE ENGINEER NOTIFIED. WORK MAY CONTINUE UPON ENGINEERS NOTICE TO PROCEED.



**SAMPLE ROADSIDE SWALE DETAIL - WEST SIDE**  
 N.T.S. - DETAIL HAS 5X VERTICAL SCALE EXAGGERATION



**DRAINAGE PIPE / WATER MAIN CROSSING DETAIL**  
 N.T.S. - DETAIL HAS 5X VERTICAL SCALE EXAGGERATION



**Multi-Flow Product Data Sheet - #12300 12" Multi-Flow Drain Pipe**

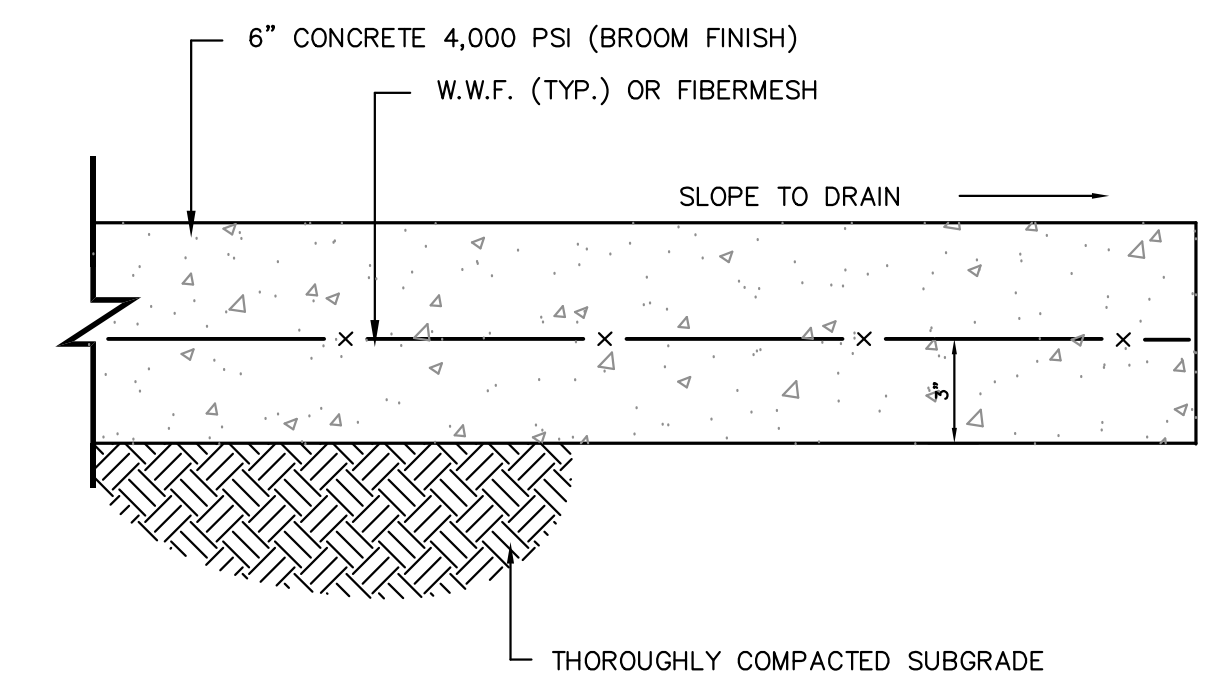
Drainage Core		
Property	Test Method	Value
Thickness, inches	ASTM D-1777	.10
Flow Rate, gpm/ft	ASTM D-4716	.29
Compressive Strength, psf	ASTM D-1621 (sand method)	6000
Perforations / sq. ft.		>300
Standard Roll Length, ft.		125



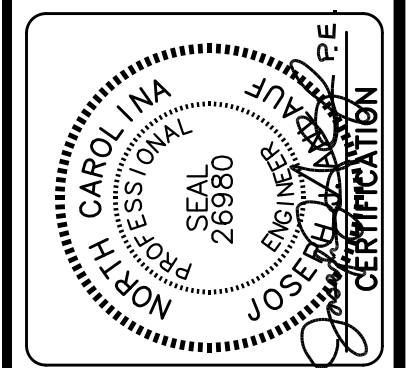
Manufactured by Varicore Technologies, Inc. - Prinsburg, MN 56281 - 800.978.8007  
 The Multi-Flow logo is Copyright protected, all rights reserved.  
 US Patent Protect - 9483745856834

Geo-Textile Filter		
Property	Test Method	Value
Weight (oz/sq2)	ASTM D-3776	.4
Tensile Strength	ASTM D-4632	100
Elongation, %	ASTM D-4632	.50
Puncture, lb	ASTM D-4833	.50
Mullen Burst, psi	ASTM D-3786	200
Trapezoidal Tear, lb	ASTM D-4533	.42
Coefficient of Perm, cm/s	ASTM D-4491	.01
Flow Rate, gpm/ft2	ASTM D-4491	100
Permittivity, 1/sec	ASTM D-4491	1.8
A.O.S. Max US Std Sieve	ASTM D-4751	70
UV Stability, 500 hrs, %	ASTM D-4355	70
Seam Strength, lb/ft	ASTM D-4595	100
Fungus	ASTM G-21	No Growth

All values given represent minimum average roll values  
 \*Horizontal Installation, gradient = 0.1, pressure = 10 psi for 100 hours



**CONCRETE PAVEMENT SECTION**  
 N.T.S.



COPYRIGHT © 2021  
 ANLAUF ENGINEERING, PLLC  
 THIS DOCUMENT IS THE PROPERTY OF ANLAUF ENGINEERING, PLLC. ALL RIGHTS RESERVED. NO REPRODUCTION OF THIS OR ANY PART THEREOF IS PERMITTED WITHOUT THE WRITTEN PERMISSION OF ANLAUF ENGINEERING, PLLC. THE STATE OF NORTH CAROLINA IS THE EXCLUSIVE JURISDICTION FOR ANY AND ALL DISPUTES.

NO.	DATE	REVISIONS

**EX. CONDITIONS & NEW WORK**  
**GINGUITE TRAIL**  
**TOWN OF SOUTHERN SHORES**  
 SOUTHERN SHORES  
 DARE COUNTY  
 NORTH CAROLINA

COMMISSION NO. P16001.33  
 DESIGNED BY JJA  
 DRAWN BY JJA  
 CHECKED BY JJA  
 ISSUE DATE 8/23/22

SHEET NO.  
**2**  
 OF 2 SHEETS